

# FP (FLEX PLATE)

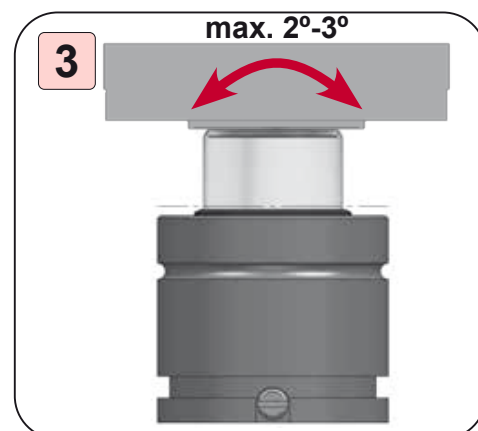
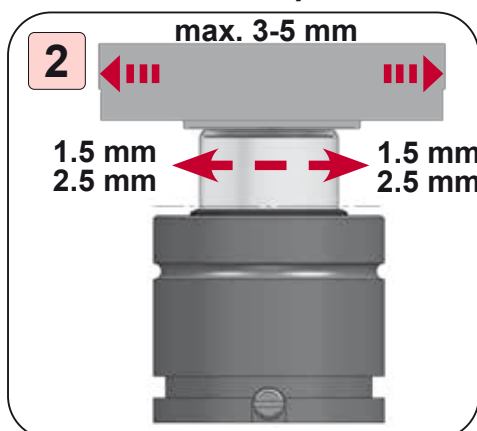
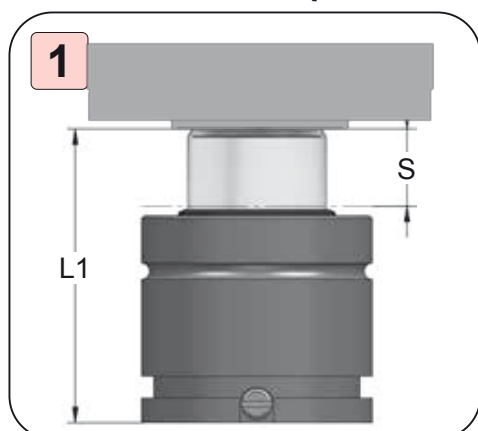
Accesorios

AZOL  
GAS 

## TECHNICAL DATA

- Range forces 1500 - 20000 daN.
- Fix with screws.
- Compact plate.
- Flexible support.

## FLEX PLATE (SLIDING & SWINGING)

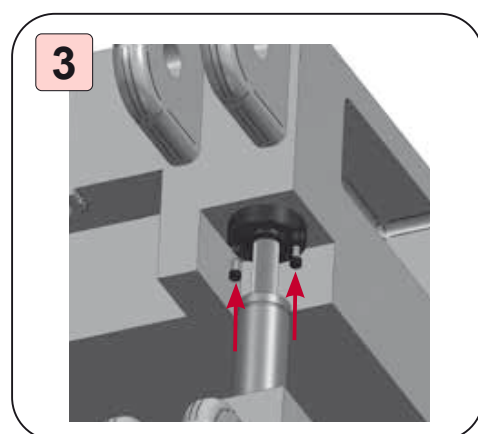
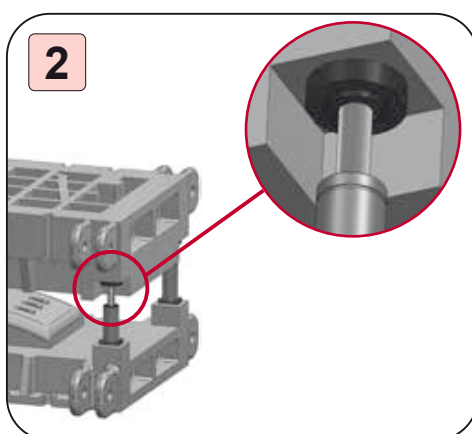


1. The use of FP system does not involve a variation of the dimensions of the gas spring, the location of the plate is inserted in the die itself.

2. Allows sideloads up to 3-5 mm.

3. Allows deviations from perpendicularity up to 2°-3°.

## HOW TO ASSEMBLE



1. Check the gas spring model is suitable for use with the FP plate.

2. Verify that there is space enough to fit the FP plate into the tool.

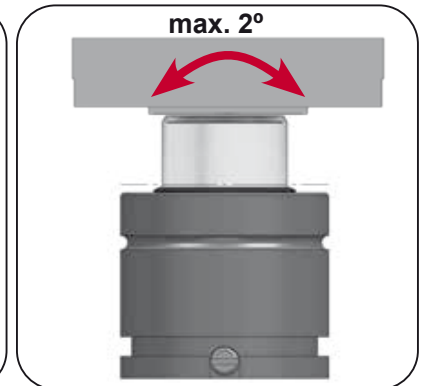
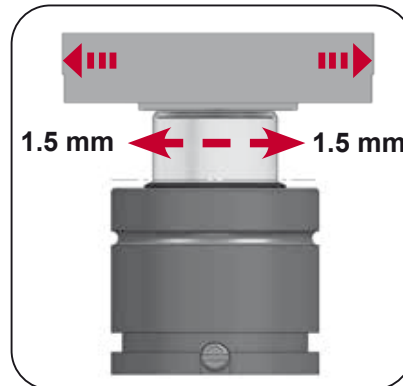
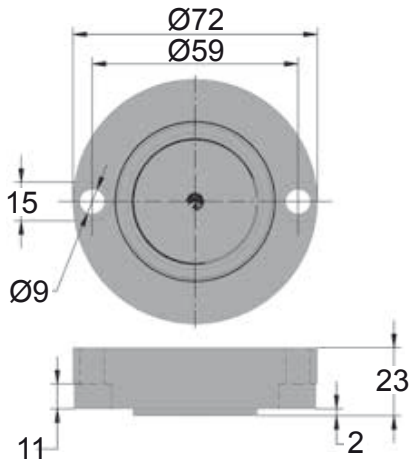
3. Fix the FP plate to the die with screws.



# FP (FLEX PLATE)

Accessories

## FP 020 045



### MODELS

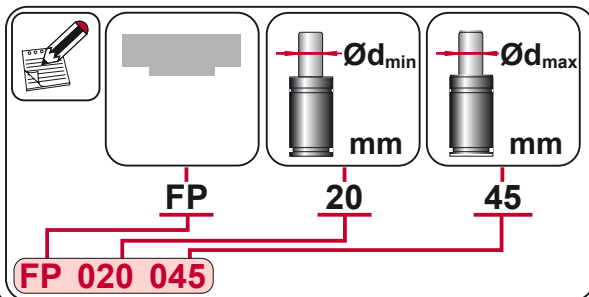
MODEL
AG 500
CD 500 V1
FD 500
KZ 500
CW 500 V1
CM 500 V2
CT 500
CK 500
CM 600 V1
CD 700
CT 700

MODEL
AG 750
GN 750
FD 750 V1
CK 750 V2
KZ 750 V1
CW 750 V1
CT 750
CD 1000 V1
CM 1000 V1
CT 1000 V1
KT 1000

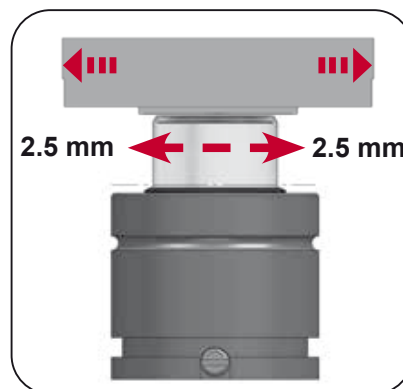
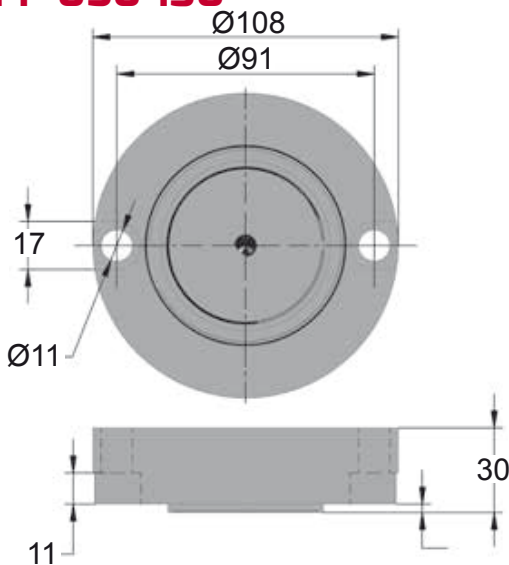
MODEL
KZ 1000 V1
CW 1000 V2
CK 1000 V3
AG 1500
CD 1500 V2
CM 1500 V2
GN 1500
FD 1500 V2
CK 1500 V2
CT 1500 V1
KT 1500

MODEL
KZ 1500
CW 1500 V1
CD 2400
KT 2400
KZ 2400
CW 2400 V1
CM 2500 V1
CK 2500 V1

### HOW TO ORDER



## FP 050 130



### MODELS

MODEL
CT 2500
AG 3000
GN 3000
FD 3000
CT 3000
CM 4000 V1
CK 4000 V1
CD 4200
KT 4200
KZ 4200

MODEL
CW 4200 V1
AG 5000
GN 5000
FD 5000 V1
CT 5000
CM 6500 V1
CD 6600
KZ 6600
KT 6600
CW 6600

MODEL
AG 7500
GN 7500
CD 9600
KT 9500
CW 9500
CM 10000
AG 10000
CW 11800
CD 18500
CW 20000

### HOW TO ORDER

